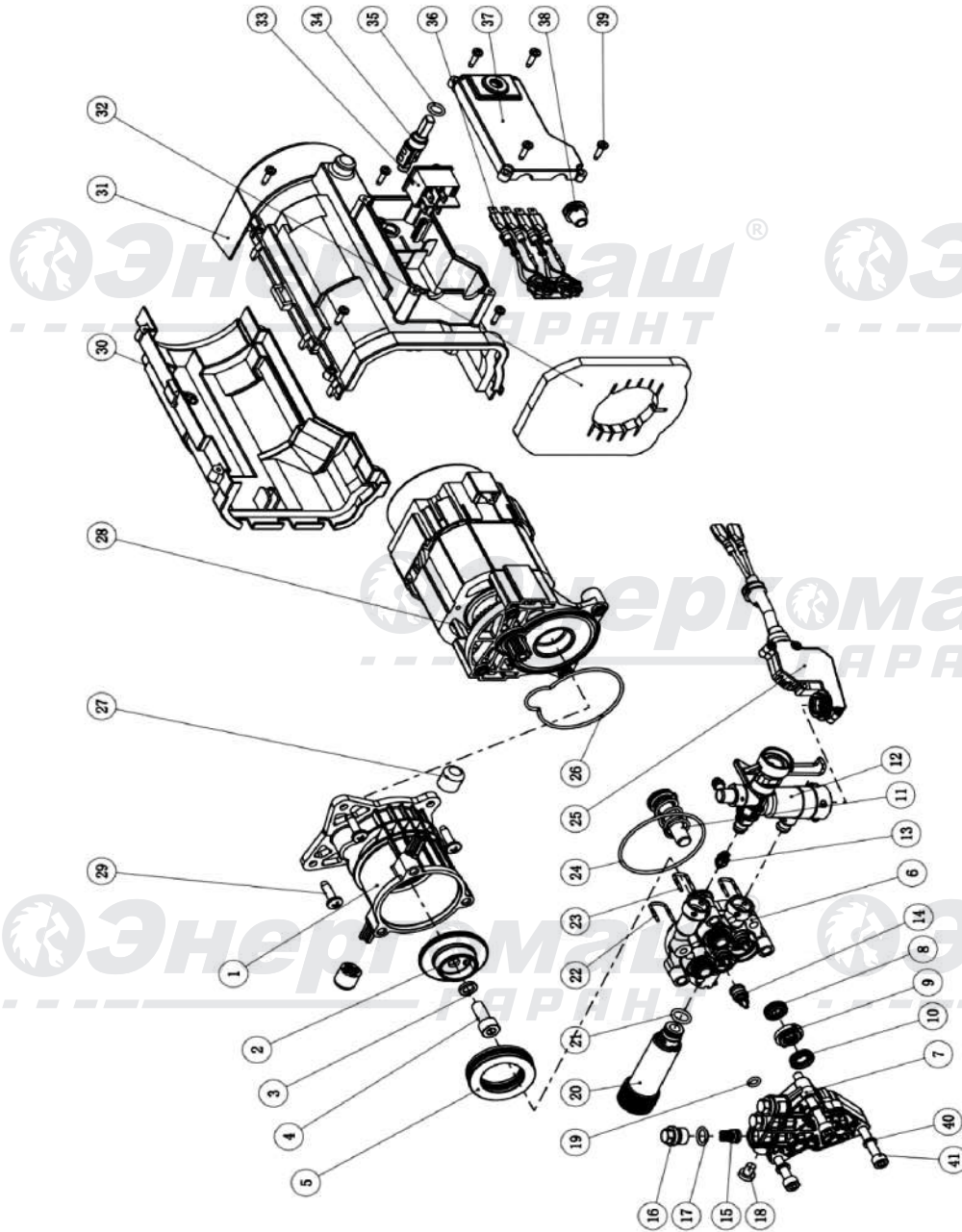


МВД1-2300

NO.	DESCRIPTION
1	GUN
2	CLEANING PIN
3	ACCESSORIES HOLD
4	ADJUSTABLE NOZZLE
5	PRESSURE HOSE
6	WATER INLET CONNECTOR&FILTER
7	WHEEL COVER
8	WHEEL
9	BACK HOUSING
10	DETERGENT TUBE
11	DETERGENT TANK CAP
12	DETERGENT TANK
13	CABLE JACKET
14	CABLE PRESS PLATE
15	SCREW
16	MOTOR&PUMP ASSY
17	POWER CABLE & PLUG
18	SWITCH KNOB
19	OUTLET DECORATIVE PLATE
20	FRONT HOUSING
21	BUTTON
22	FRONT DECORATIVE PLATE(LEFT)
23	FRONT DECORATIVE PLATE(RIGHT)
24	GUN HOLDER
25	HANDLE SLEEVE
26	HANDLE
27	SCREW
28	POWER CABLE HOOK
29	WARINING LABEL
30	RATING LABEL
31	HOSE REEL AXIS
32	HOSE REEL
33	HOSE REEL BRACKET
34	ROCKING HANDLE SLEEVE
35	ROCKING HANDLE

МВД1-2300-EX-20211029

PUMP FOR МВД1-2300



NO.	DESCRIPTION
1	Oil cylinder assy
2	Swash plate
3	Gasket 8
4	Bolt M8X20
5	Bearing 51106
6	Pump body
7	Pump cover
8	Plunger oil seal 10x16x4
9	Oil seal bracket
10	Oil seal 10x16x4
11	Plunger assy
12	Outlet hose assy
13	Back pressure valve assy
14	Inlet checking valve assy
15	Outlet checking valve assy
16	Checking valve cap
17	O ring 9.5x1.8
18	Bolt M6X8
19	O ring 5.5x2.2
20	Inlet hose
21	O ring 10x2.2
22	O ring 10x2.2
23	U pin
24	O ring 58x2
25	On-off switch assy
26	Seal ring
27	Damping ring
28	Motor
29	Bolt ST5.5x20
30	Fan cover down
31	Fan cover up
32	Fan cover filter
33	Main switch
34	Switch driving lever
35	O ring 8x2
36	Capacitor assy
37	Switch cover
38	Outlet wire cover
39	Bolt ST3.5 X13F
40	Gasket 6
41	Bolt M6X55